

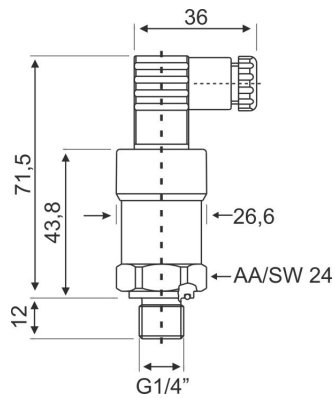
**Pressure Gauges / Pressure Transmitter / MPStx™**

<b>CONSTRUCTIVE PROPERTIES</b>		
	<b>STANDARD</b>	<b>OPTIONAL</b>
Mounting Type	Bottom Connection	-
Scale Unit	bar	-
Scale Range (PN)	0/0,5   0/1   0/1,6   0/2,5   0/4   0/6   0/10   0/16   0/25   0/40   0/60   0/100   0/160   0/250   0 - 315   0/400   0/600   -1/0	
Connection	G 1/4" B	G 1/2" B   1/4" NPT   1/2" NPT
Voltage Supply	9 .. 35 V DC	-
Output Type	Current Loop	-
Output Range	4 - 20 mA	-
Measuring Method	Relative	-
Sensor Type	Monolithic / Ceramic	-
Response Time	≤ 5 ms	-
Current Consumption	< 30 mA	-
Connector	DIN 43650-A	M 12 x 1,5
Reverse Polarity Protection	Built - in	-
Service Life	10.000.000- Cycles	-
Max.Length of Cable	100 meters	-
Free Fall Resistance	h:1m to concrete surface	-
Vibration Resistance	20g	-
Accuracy	≤ ± 0,5 % FS(-25/+85°C) ≤ ± 1,0 % FS(+85°C./.+125°C)	
Long term Drift	≤ ± 0,3 % FS/year (0 Mio Cycles 100% pressure @ 25°C)	
Temperature Drift	Approx ±0.2 % / 10 K	
Storage Temperature	-40...+135 °C	-
RoHS Compliance	Yes	-
Resistance to Shock	50g	-

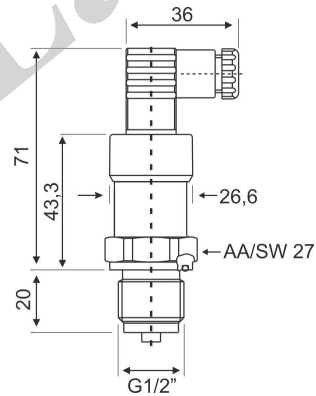
<b>USAGE PROPERTIES</b>		
Protection Rate	IP 55	IP 65   IP 67
Conformity	EN 837 - 1	ATEX 94/9/EC



**710 0111 00**  
G1/4"



Model No: 710 0111 00



Model No: 710 0111 01